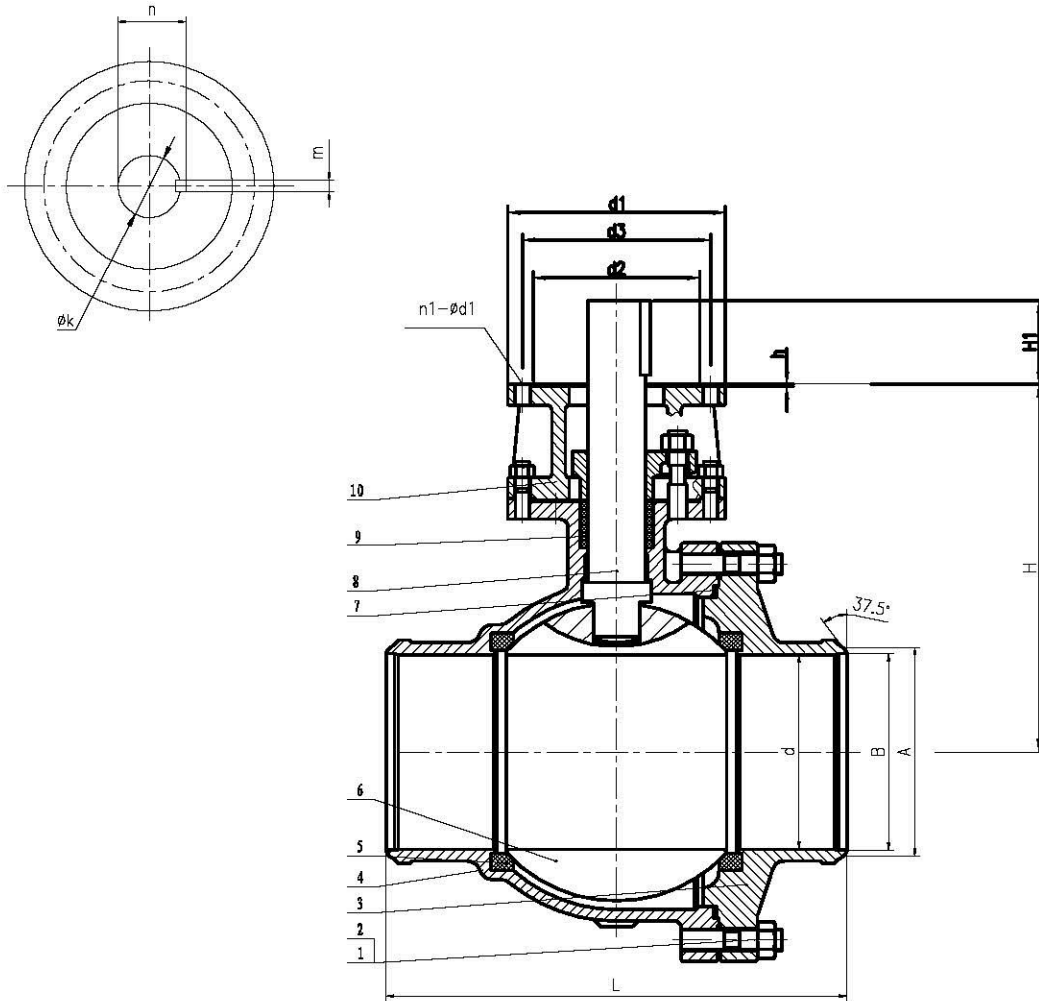


NPS-DN		Typical Dimensions			PN40 Dimensions		ISO 5211 Dimensions									T	
in	mm	d	L	H	A	B	d1	d2	d3	h	ISO	n1- $\phi$ d1	H1	n	m	$\phi$ k	N·M
3	80	76	283	-	91	-	90	55	70	4	F07	4-10	-	-	-	-	200
4	100	100	305	-	117	-	125	70	102	4	F10	4-12	-	-	-	-	320



- Notice:
- Design by DIN 3441
  - BW ends by EN 12627
  - Valves tested by DIN 3230

10	YOKE	A36	
9	Packing	PTFE	
8	Stem	ASTM A182-F304	
7	Gasket	PTFE	
6	Ball	ASTM A182-F304	
5	Seat	PTFE	
4	Body	ASTM A351 CF8M	
3	Bonnet	ASTM A351 CF8M	
2	Bonnet Bolt Nut	ASTM A194-8M	
1	Bonnet Bolt	ASTM A193 BBM	
NO	PART NAME	MATERIAL	REMARKS

STANDARD		REVISION		DATA	NAME
TEST PRESSURE	UNIT	SHELL		SEAT	
	HYDRAULIC	Psig		Psig	
	PNEUMATIC				
BALL VALVE					FIG NO
DESIGN BY	ZH				
CHECKED BY	PXW				
STANDARD BY		DRAWING NO		REV	
APPROVED BY					
THE USER CONFIRM				DATE	10.04.14